

THIS INSTRUCTION SHEET IS APPLICABLE FOR RECTANGULAR MILAN COUNTERS.



FRONT VIEW



TOP VIEW



ISOMETRIC VIEW

PARTS	CODE	QTY
	P1	4
	S1	4
	N1	1
	N2	2
	COUNTER TOP	1

FRAME ASSEMBLY

STEP 1: LOWER SECTION

PARTS REQUIRED: 4-S1, 2-N2

- ▶ Connect N2 to S1 for each side.
- ▶ Do the same way for the other side of the frame

STEP 2:

PARTS REQUIRED: 1-N1

- ▶ Take Lower Section from STEP 1
- ▶ Connect N1 to N2 for each side

STEP 3:

PARTS REQUIRED: 4-P1

- ▶ Take Lower Section from STEP 2
- ▶ Connect P1 to S1

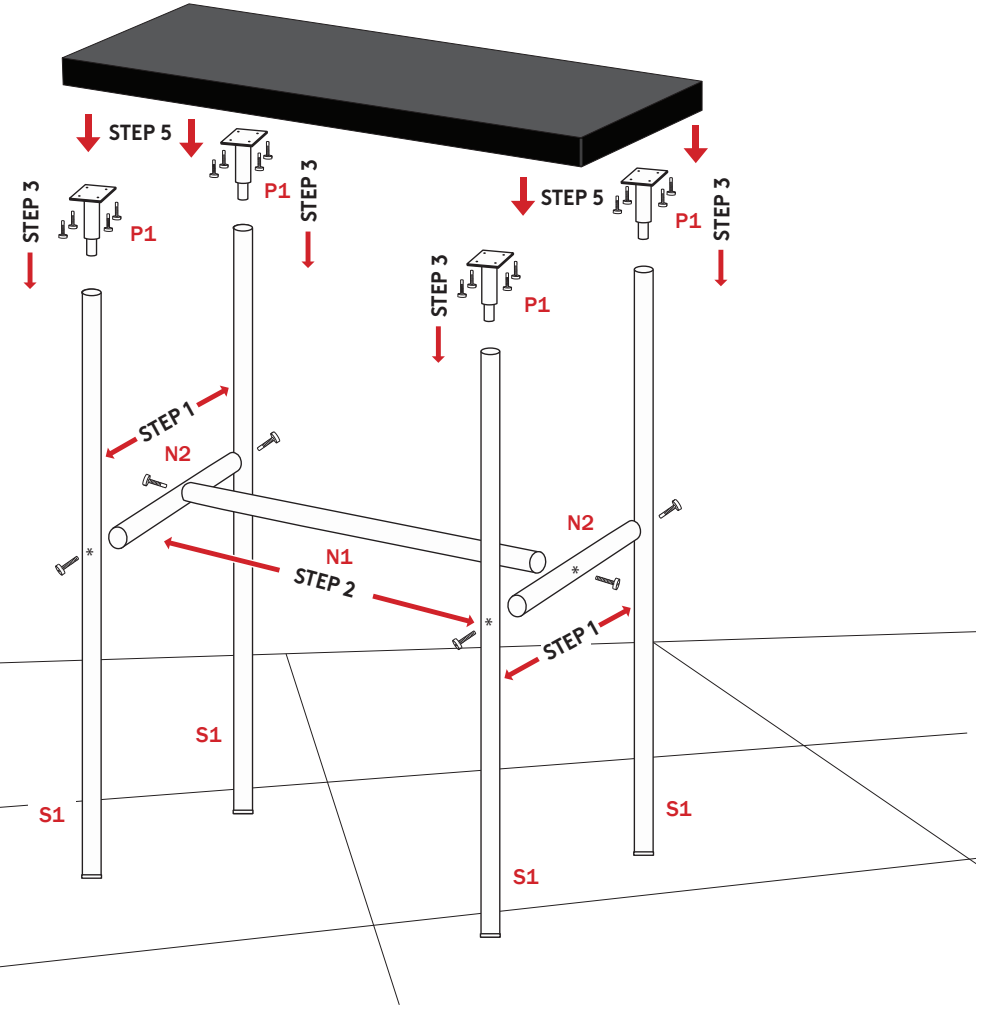
STEP 4: INSTALL FABRIC

SEE INSTRUCTIONS BELOW

STEP 5:

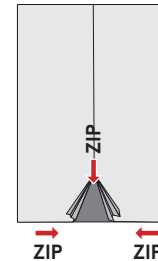
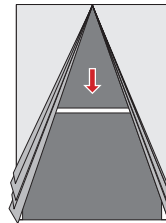
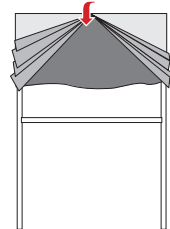
PARTS REQUIRED: COUNTER TOP

- ▶ Place Counter Top in place and screw it with P1 on 4 corners from the bottom



FABRIC INSTALLATION

- ▶ Make sure that floor is clean. If possible use a drop cloth.
- ▶ Locate the opening on the fabric
- ▶ Make sure that zippers are open
- ▶ Drape fabric like a pillow cover to the frame starting at the top
- ▶ Pull the fabric all the way down and close zippers



This document contains proprietary information. No portion may be disclosed to other, reproduced or used in any way without our written authorization.

©2018 McRae Imaging Inc.