

## SIZE SPECIFICATIONS:

115" W x 97.5" H

THIS INSTRUCTION SHEET IS APPLICABLE FOR 10 FT. MILAN ARC W. WALKTHROUGH.



FRONT VIEW



SIDE VIEW



ISOMETRIC VIEW

## FRAME ASSEMBLY

### STEP 1: LOWER SECTION

**PARTS REQUIRED: 2-WBC1, 1-WS2**

- ▶ Connect WBC1 to WS2 for each side

### STEP 2:

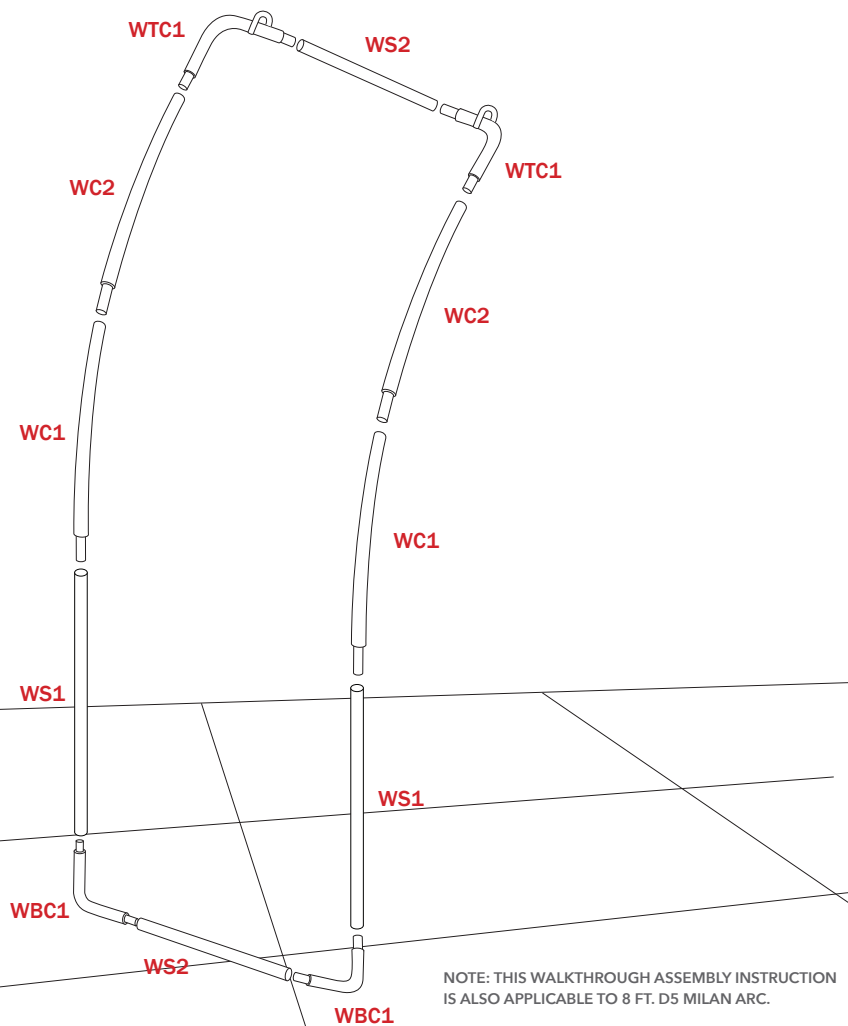
**PARTS REQUIRED: 2-WS1, 2-WC1, 2-WC2**

- ▶ Take Lower Section from STEP 1
- ▶ Connect WS1 to WBC1 for each side
- ▶ Connect WC1 to WS1 for each side
- ▶ Connect WC2 to WC1 for each side

### STEP 3:

**PARTS REQUIRED: 2-WTC1, 1-WS2**

- ▶ Connect WTC1 to WS2 for each side
- ▶ Attach the completed upper section to the lower section to complete the frame



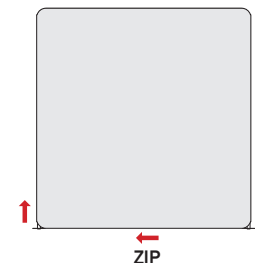
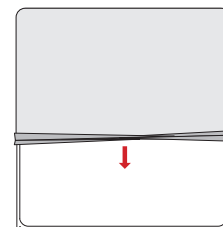
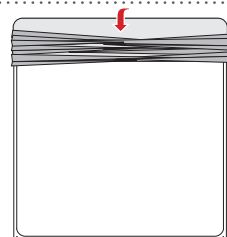
NOTE: THIS WALKTHROUGH ASSEMBLY INSTRUCTION IS ALSO APPLICABLE TO 8 FT. D5 MILAN ARC.

PARTS	CODE	QTY
-------	------	-----

	WBC1	2
	WS1	2
	WS2	2
	WC1	2
	WC2	2
	WTC1	2

## FABRIC INSTALLATION

- ▶ Make sure that floor is clean. If possible use a drop cloth. Lay frame on the floor
- ▶ Locate the opening on the fabric
- ▶ Make sure that zipper is open
- ▶ Drape fabric like a pillow cover to the frame starting at the top
- ▶ Pull the fabric part way down and stand frame up
- ▶ Pull fabric completely down and close zipper



This document contains proprietary information. No portion may be disclosed to other, reproduced or used in any way without our written authorization.

©2018 McRae Imaging Inc.