

SIZE SPECIFICATIONS:

115" W x 97.5" H

THIS INSTRUCTION SHEET IS APPLICABLE FOR 10 FT. MILAN ARC W. KIOSK.



PARTS	CODE	QTY
	KBC1	2
	KS1	2
	KS2	2
	KS3	1
	KC1	2
	KC2	2
	KTC1	2
	KSB1	1
	KSH1	1

FRAME ASSEMBLY

STEP 1: LOWER SECTION

PARTS REQUIRED: 2-KBC1, 1-KS2

- ▶ Connect KBC1 to KS2 for each side

STEP 2:

PARTS REQUIRED: 2-KS1, 1-KSB1

- ▶ Take Lower Section from STEP 1
- ▶ Connect KS1 to KBC1 for each side
- ▶ Connect KSB1 to KS1 with bolts for each side

STEP 3:

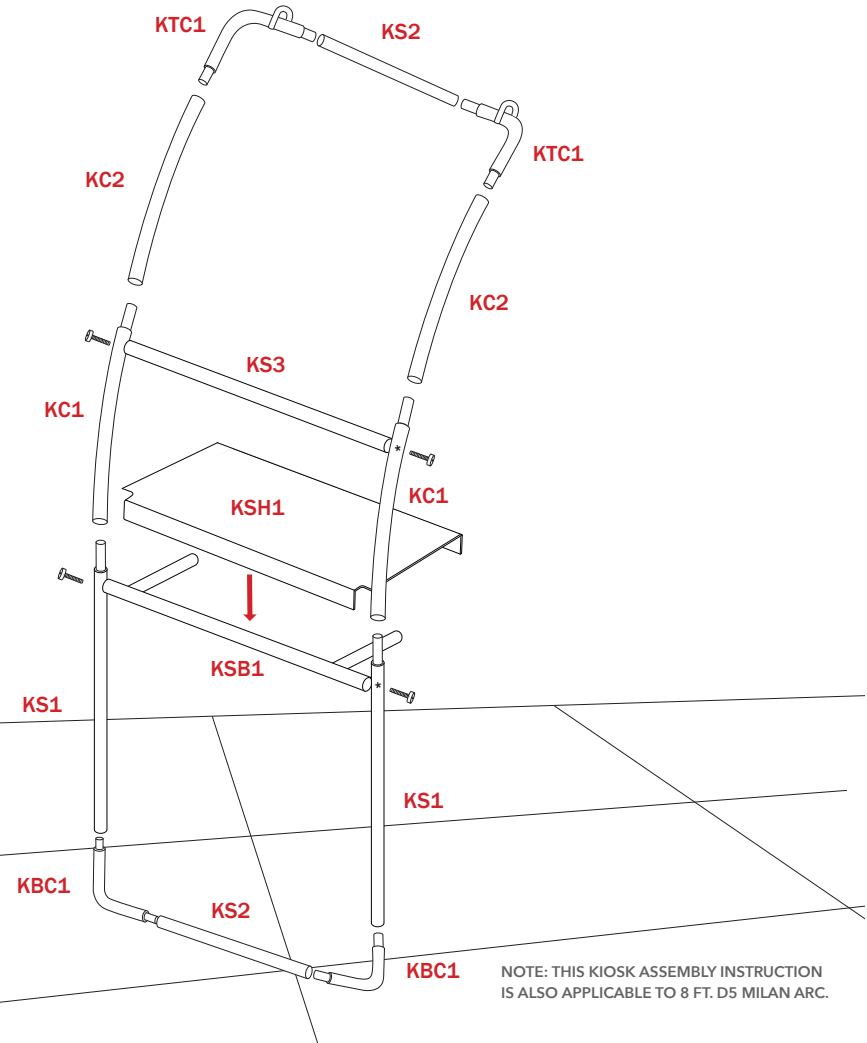
PARTS REQUIRED: 2-KC1, 2-KC2, KS3

- ▶ Take Lower Section from STEP 2
- ▶ Connect KC1 to KS1 for each side
- ▶ Connect KS3 to KC1 with bolts for each side
- ▶ Connect KC2 to KC1 for each side

STEP 4:

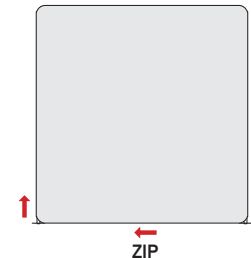
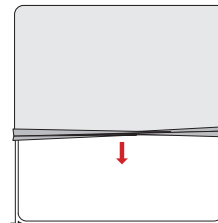
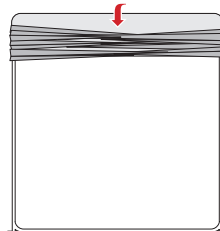
PARTS REQUIRED: 2-KTC1, 1-KS2, KSH1

- ▶ Connect KTC1 to KS2 for each side
- ▶ Attach the completed upper section to the lower section
- ▶ Place KSH1 on top of KSB1 to complete the frame



FABRIC INSTALLATION

- ▶ Make sure that floor is clean. If possible use a drop cloth. Lay frame on the floor
- ▶ Locate the opening on the fabric
- ▶ Make sure that zipper is open
- ▶ Drape fabric like a pillow cover to the frame starting at the top
- ▶ Pull the fabric part way down and stand frame up
- ▶ Pull fabric completely down and close zipper



This document contains proprietary information. No portion may be disclosed to other, reproduced or used in any way without our written authorization.

©2018 McRae Imaging Inc.